

K5F

35.0Ø x 78.0 mm / 50.0Ø x 83.0 mm

Ideal for use in electric vehicles
charging protection boards



Agency Approvals

Agency	Ampere Rating
Recognized Component for Canada and US	225A - 700A
CCC	225A - 700A

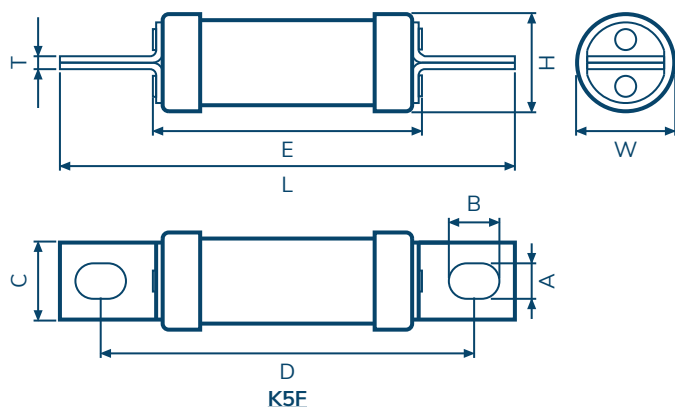
Interrupting Rating

225A - 400A:	150,000 amperes at 500V AC 50,000 amperes at 500V DC
450A - 700A:	150,000 amperes at 500V AC 50,000 amperes at 500V DC

Product Characteristics

Operating Temperature	-55 °C to 125 °C
Material	Body: Ceramic Caps: Tin Plated Copper Terminal: Tin Plated Copper

Mechanical Dimensions (mm)



K5F Series	A	B	C	D	E	H	L	T	W
225A - 400A	10.5±1.0	19.0±1.0	26.0±1.0	78.0±4.5	47.0±3.0	35.0±2.0	110.0±3.0	6.0±0.2	35.0±2.0
450A - 700A	10.5±1.0	16.0±1.0	38.0±1.0	83.0±4.5	57.0±3.0	50.0±2.0	112.0±3.0	6.0±0.2	50.0±2.0

Catalog Number	Ampere Rating (A)	Voltage Rating (V)	Watts Loss 100% In (W)	I ² t (A ² Sec)	
				Pre-arc	Clearing at 500V
K5F 225	225A	500V	38W	6430	16800
K5F 250	250A		40W	10100	27700
K5F 275	275A		45W	11500	31600
K5F 300	300A		49W	17700	45600
K5F 325	325A		51W	24800	63500
K5F 350	350A		58W	36100	80600
K5F 400	400A		64W	36900	91300
K5F 450	450A		72W	80600	152000
K5F 500	500A		81W	109000	193000
K5F 600	600A		103W	178000	304000
K5F 700	700A		114W	244000	419000

Packaging

Packaging Option	Quantity	
Bulk	225A-400A: 10 pcs / box	450A-700A: 6 pcs / box