

# TOL-18cSGaDAa-ST11-RL

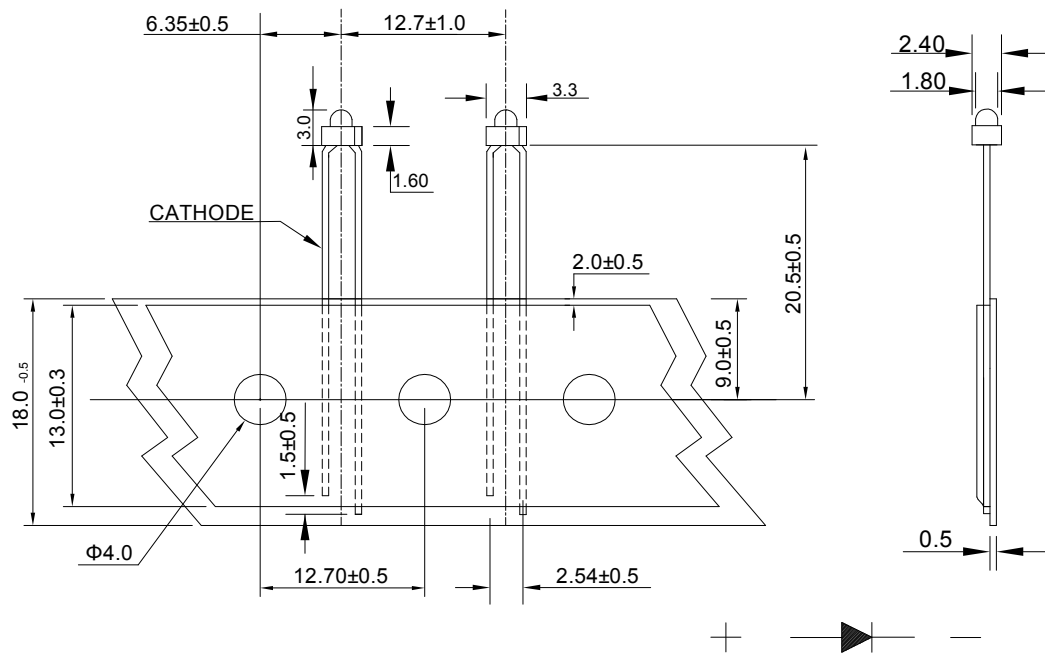
## Lamp LED

Part Number	Chip		Lens Color
	Material	Source Color	
TOL-18cSGaDAa-ST11-RL	GaP	Super Yellow Green	Green Diffused

### Features

- I.C. compatible.
- Low power consumption.
- Compatible with wave soldering process.
- 1.8mm diameter package, reel and anti-electrostatic packaging.
- Long life, stable and reliable.
- RoHS compliant

### Dimensions



#### Notes:

1. All dimensions are in millimeter.
2. Tolerance is  $\pm 0.25$ mm unless otherwise noted.

## Absolute Maximum Rating @ Ta=25°C

Parameter	Maximum Rating	Unit
Peak Forward Current (1/10 Duty Cycle, 0.1ms Pulse Width)	100	mA
Power Dissipation(Tamb≤60°C)	75	mW
Continuous Forward Current	30	mA
Reverse Voltage	5	V
Operating Temperature Range	-40°C to +80°C	
Storage Temperature Range	-40°C to +100°C	
Wave Soldering Profile For Lead Free Soldering	260°C for 5 Sec	
Electrostatic Discharge Classification(HBM)	Class 2	

## Electrical / Optical Characteristic @ Ta=25°C

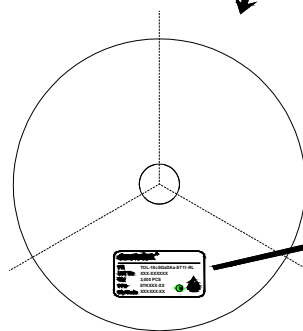
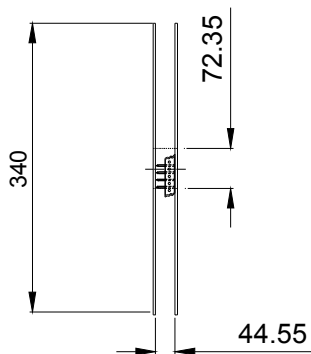
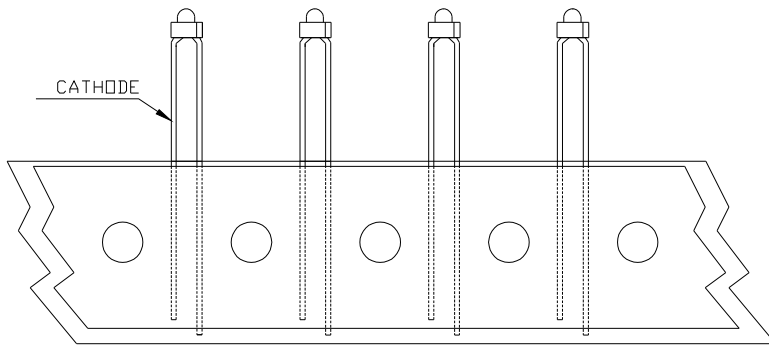
Parameter	Symbol	Min.	Typ.	Max.	Unit	Test Condition
Luminous Intensity	I <sub>v</sub>	10	20	--	mcd	I <sub>F</sub> =20mA
Viewing Angle	2θ <sub>1/2</sub>		60		deg	I <sub>F</sub> =20mA
Dominant Wavelength	λ <sub>d</sub>	568	572	576	nm	I <sub>F</sub> =20mA
Peak Emission Wavelength	λ <sub>p</sub>		565		nm	I <sub>F</sub> =20mA
Spectral Line Half-Width	Δλ		30		nm	I <sub>F</sub> =20mA
Forward Voltage	V <sub>F</sub>	1.8	2.0	2.4	V	I <sub>F</sub> =20mA
Reverse Current	I <sub>R</sub>			10	μA	V <sub>R</sub> =5V

\* Please refer to CIE 1931 chromaticity diagram.

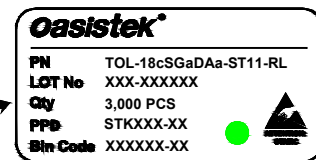
## Package Description

The LED's are packed in cardboard boxes after packaging in anti-electrostatic bags or plastic bags or taping. According to the total delivery amount, cardboard boxes will be used to protect the LED's from mechanical shocks during transportation. The label on the minimum packing unit bag shows. The boxes are not water resistant and therefore must be kept away from water and moisture.

Carton	Suitable LED		Dimensions (mm) (Tolerance: $\pm 2.54\text{mm}$ )			Quantity(pcs)	Draft
	Round	Rectangular	L	W	H		
Anti-Electric Plastic bag	$\Phi 1.8$		450*400*60			3,000	
Inner Carton (N17)			354	354	64	3,000	fig.1
Outer Carton (N18)			367	367	350	15,000	fig.2



3,000 Pcs/Reel



**Oasistek®**

---

**LED LAMP**

**PN** TOL-18cSGaDAa-ST11-RL  

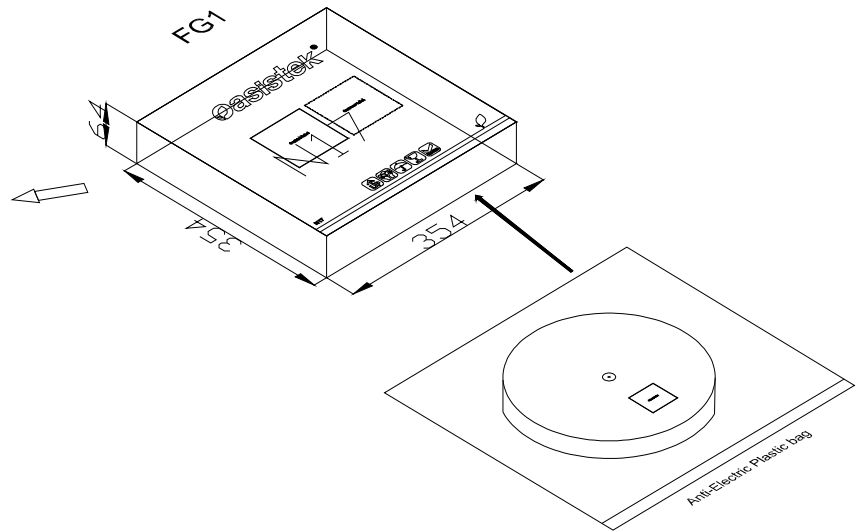
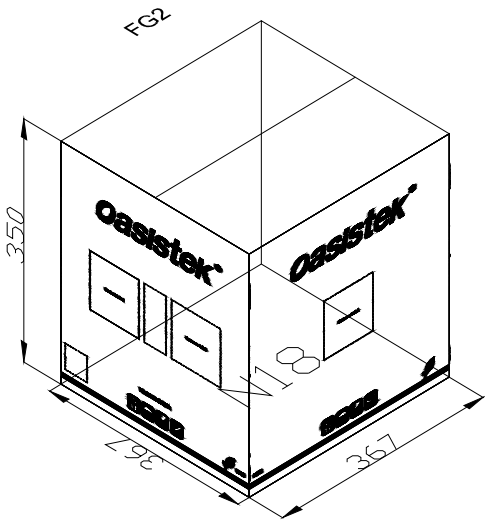

**Qty** 15,000 PCS 

**NW** XXX KGS

**GW** XXX KGS

**Date** YYYY/MM/DD

**Notes**

\* One big box contains 5 small boxes at maximum.

\* One small box contains 1 bag at maximum.