

产品特点

介质：金属化聚丙烯薄膜  
 外壳：铝外壳封装  
 内部灌封：树脂填充 (UL94 V-0)

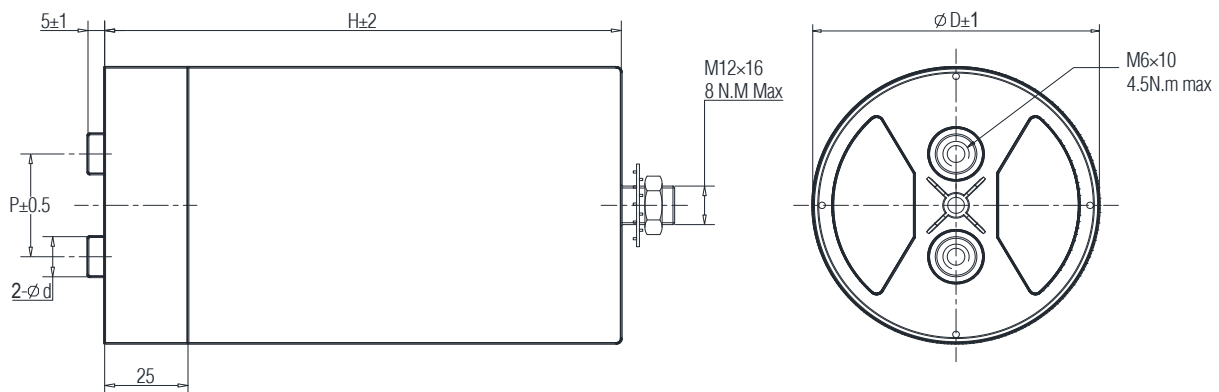
电气特性

工作温度：- 40 至 + 85 °C  
 容量范围：18 至 2700μF  
 额定电压：900 至 4000 VDC  
 容量偏差：± 5% , ± 10%  
 损耗因素： $\leq 3 \times 10^{-3}$  @ 100 Hz, 20±5°C  
 预期寿命：100,000 小时 @ Un, 70 °C (热点温度)  
 极间耐压：1.5Un (DC) @ 10s, 20±5°C  
 极壳耐压：(1.5Un+1000)VAC, 最小 3000VAC (10s,50Hz)  
 绝缘电阻：(IRxCn) 30000s (不超过 30GΩ),  
 100VDC (20±5°C), 1 分钟



应用

逆变器 电机驱动 开关电源



安装孔距与安装螺口外径尺寸 (底部安装螺杆 M12×16, 最大安装扭力 8.0 N.m)

D= 76, 86mm	D= 96mm	D= 116mm	D= 136mm
d= 12.5mm	d= 12.5mm	d= 14mm	d= 14mm
P= 32mm	P= 45mm	P= 50mm	P= 50mm

## 特性参数

订货代码	容量 ( $\mu$ F)	D (mm)	H (mm)	I <sub>peak</sub> (A)	I <sub>max</sub> @45°C @10KHz (A)	ESR(m $\Omega$ ) @1.0KHz	Ls (nH)	Rth (k/W)	Wn (Ws)	重量 (Kg)
<b>Un 900VDC , Us 1350V , Ur 200V</b>										
SHP-900-280-FS	280	76	95	2240	41	1.9	≤50	4.6	113	0.59
SHP-900-380-FSS	380	86	95	3040	47	1.8	≤50	3.9	154	0.73
SHP-900-390-FS	390	76	120	2340	41	2.1	≤60	4.1	158	0.71
SHP-900-450-FS	450	76	145	4500	58	1.2	≤45	3.7	182	0.88
SHP-900-520-FS	520	86	120	3120	47	1.9	≤60	3.5	211	0.88
SHP-900-570-FS	570	76	175	4560	60	1.3	≤50	3.3	231	1.03
SHP-900-600-FS	600	86	145	6000	64	1.1	≤45	3.2	243	1.09
SHP-900-630-FS	630	96	125	3780	53	1.8	≤60	3.0	255	1.14
SHP-900-700-FS	700	116	100	5600	61	1.6	≤50	2.6	284	1.36
SHP-900-750-FS	750	86	175	6000	66	1.2	≤50	2.9	304	1.29
SHP-900-780-FS	780	76	225	4680	62	1.4	≤60	2.9	316	1.28
SHP-900-850-FS	850	96	150	8500	70	1.1	≤45	2.7	344	1.40
SHP-900-1000-FS2	1000	96	180	8000	73	1.1	≤50	2.5	405	1.64
SHP-900-1000-FS1	1000	136	100	8000	70	1.5	≤50	2.1	405	1.83
SHP-900-1000-FS	1000	116	125	6000	63	1.6	≤60	2.3	405	1.63
SHP-900-1050-FS	1050	86	225	6300	69	1.3	≤60	2.5	425	1.60
SHP-900-1050-FS1	1050	116	150	10500	81	1.1	≤45	2.1	425	2.05
SHP-900-1200-FS1	1200	96	230	7200	75	1.2	≤60	2.2	486	2.06
SHP-900-1300-FS	1300	136	125	7800	72	1.6	≤60	1.9	527	2.24
SHP-900-1450-FS	1450	116	180	11600	84	1.1	≤50	2.0	587	2.37
SHP-900-1500-FS	1500	136	150	15000	91	1.0	≤45	1.7	608	2.77
SHP-900-1900-FS	1900	136	180	15200	94	1.0	≤50	1.6	770	3.25
SHP-900-2000-FS	2000	116	230	12000	88	1.1	≤60	1.7	810	2.93
SHP-900-2700-FS	2700	136	230	16200	99	1.1	≤60	1.4	1094	4.02
<b>Un 1100VDC , Us 1650V , Ur 250V</b>										
SHP-1100-180-FS	180	76	95	1440	40	2.1	≤50	4.6	109	0.58
SHP-1100-230-FS	230	86	95	1840	45	1.9	≤50	3.9	139	0.73
SHP-1100-250-FS	250	76	120	1500	40	2.3	≤60	4.1	151	0.70
SHP-1100-280-FS	280	76	145	2800	56	1.3	≤45	3.7	169	0.88
SHP-1100-300-FS	300	96	100	2400	51	1.8	≤50	3.3	182	0.94
SHP-1100-330-FS	330	86	120	1980	45	2.1	≤60	3.5	200	0.88
SHP-1100-350-FS	350	76	175	2800	58	1.4	≤50	3.3	212	1.03
SHP-1100-400-FS1	400	96	125	2400	51	1.9	≤60	3.0	242	1.14
SHP-1100-400-FS	400	86	145	4000	63	1.2	≤45	3.2	242	1.09
SHP-1100-420-FSL	420	86	136	1974	40	2.1	≤60	3.3	254	0.97
SHP-1100-450-FS	450	116	100	3600	60	1.6	≤50	2.6	272	1.36
SHP-1100-460-FS	460	96	150	4600	69	1.1	≤45	2.7	278	1.40
SHP-1100-480-FS	480	76	225	2880	59	1.5	≤60	2.9	290	1.29
SHP-1100-500-FS	500	86	175	4000	65	1.2	≤50	2.9	303	1.28
SHP-1100-600-FS	600	96	180	4800	71	1.2	≤50	2.5	363	1.64
SHP-1100-630-FS	630	136	100	5040	69	1.5	≤50	2.1	381	1.83
SHP-1100-650-FS	650	116	125	3900	62	1.7	≤60	2.3	393	1.62
SHP-1100-680-FS	680	86	225	4080	67	1.3	≤60	2.5	411	1.60
SHP-1100-730-FS	730	116	150	7300	81	1.1	≤45	2.1	442	2.02
SHP-1100-800-FS	800	96	230	4800	74	1.3	≤60	2.2	484	2.04
SHP-1100-900-FS	900	136	125	5400	71	1.6	≤60	1.9	545	2.21
SHP-1100-920-FS	920	116	180	7360	83	1.1	≤50	2.0	557	2.36
SHP-1100-1000-FS	1000	136	150	10000	91	1.0	≤45	1.7	605	2.75
SHP-1100-1200-FS	1200	136	180	9600	93	1.1	≤50	1.6	726	3.25
SHP-1100-1250-FS	1250	116	230	7500	87	1.2	≤60	1.7	756	2.93
SHP-1100-1700-FS	1700	136	230	10200	98	1.1	≤60	1.4	1029	4.02

## 特性参数

订货代码	容量 ( $\mu$ F)	D (mm)	H (mm)	I <sub>peak</sub> (A)	I <sub>max</sub> @45°C @10KHz (A)	ESR(m $\Omega$ ) @1.0KHz	Ls (nH)	R <sub>th</sub> (k/W)	Wn (Ws)	重量 (Kg)
<b>Un 1200VDC , Us 1800V , Ur 275V</b>										
SHP-1200-150-FS	150	76	95	1200	39	2.1	≤50	4.6	108	0.57
SHP-1200-200-FS	200	86	95	1600	45	1.9	≤50	3.9	144	0.72
SHP-1200-220-FS	220	76	120	1320	39	2.4	≤60	4.1	158	0.70
SHP-1200-240-FS	240	76	145	2400	56	1.3	≤45	3.7	173	0.87
SHP-1200-250-FS	250	86	125	3000	61	1.2	≤40	3.4	180	0.97
SHP-1200-270-FS	270	86	120	1620	45	2.1	≤60	3.5	194	0.87
SHP-1200-300-FS	300	76	175	2400	57	1.4	≤50	3.3	216	1.02
SHP-1200-310-FS	310	86	145	3100	63	1.2	≤45	3.2	223	1.08
SHP-1200-380-FS	380	116	100	3040	60	1.6	≤50	2.6	274	1.34
SHP-1200-380-FS1	380	96	150	3800	69	1.2	≤45	2.7	274	1.39
SHP-1200-400-FS	400	76	225	2400	59	1.5	≤60	2.9	288	1.27
SHP-1200-420-FS	420	86	175	3360	64	1.3	≤50	2.9	302	1.27
SHP-1200-470-FS	470	86	225	2820	65	1.4	≤60	2.5	338	1.62
SHP-1200-500-FS1	500	116	125	3000	61	1.8	≤60	2.3	360	1.62
SHP-1200-500-FS2	500	96	180	4000	71	1.2	≤50	2.5	360	1.61
SHP-1200-530-FS	530	136	100	4240	69	1.5	≤50	2.1	382	1.81
SHP-1200-550-FS	550	116	150	5500	80	1.1	≤45	2.1	396	2.01
SHP-1200-560-FS	560	86	225	3360	66	1.4	≤60	2.5	403	1.59
SHP-1200-680-FS1	680	96	230	4080	74	1.3	≤60	2.2	490	2.00
SHP-1200-680-FS	680	116	180	5440	82	1.1	≤50	2.0	490	2.37
SHP-1200-730-FS	730	136	125	4380	70	1.6	≤60	1.9	526	2.18
SHP-1200-850-FS	850	136	150	8500	91	1.0	≤45	1.7	612	2.71
SHP-1200-950-FS	950	136	180	7600	93	1.1	≤50	1.6	684	3.23
SHP-1200-1000-FS	1000	116	230	6000	86	1.2	≤60	1.7	720	2.91
SHP-1200-1200-FS	1200	136	230	7200	96	1.1	≤60	1.4	864	4.07
<b>Un 2000VDC , Us 3000V , Ur 400V</b>										
SHP-2000-55-FS	55	76	95	440	35	2.7	≤50	4.6	110	0.58
SHP-2000-75-FS1	75	86	95	600	41	2.3	≤50	3.9	150	0.72
SHP-2000-75-FS	75	76	120	450	34	3.2	≤60	4.1	150	0.70
SHP-2000-85-FS	85	76	145	850	51	1.5	≤45	3.7	170	0.88
SHP-2000-90-FS	90	96	100	720	46	2.2	≤50	3.3	180	0.93
SHP-2000-100-FS	100	86	120	600	40	2.7	≤60	3.5	200	0.87
SHP-2000-110-FS	110	76	175	880	52	1.7	≤50	3.3	220	1.03
SHP-2000-110-FS1	110	86	145	1100	58	1.4	≤45	3.2	220	1.10
SHP-2000-125-FS	125	96	125	750	45	2.4	≤60	3.0	250	1.13
SHP-2000-140-FS	140	116	100	1120	56	1.9	≤50	2.6	280	1.35
SHP-2000-140-FS1	140	96	150	1400	65	1.3	≤45	2.7	280	1.40
SHP-2000-150-FS	150	86	175	1200	60	1.5	≤50	2.9	300	1.28
SHP-2000-150-FS1	150	76	225	900	53	1.9	≤60	2.9	300	1.28
SHP-2000-190-FS	190	116	125	1140	56	2.0	≤60	2.3	380	1.63
SHP-2000-190-FS1	190	96	180	1520	67	1.4	≤50	2.5	380	1.62
SHP-2000-200-FS1	200	136	100	1600	66	1.7	≤50	2.1	400	1.82
SHP-2000-200-FS	200	86	225	1200	60	1.7	≤60	2.5	400	1.60
SHP-2000-220-FS	220	116	150	2200	77	1.2	≤45	2.1	440	2.01
SHP-2000-250-FS	250	96	230	1500	68	1.5	≤60	2.2	500	2.02
SHP-2000-275-FS	275	136	125	1650	66	1.8	≤60	1.9	550	2.20
SHP-2000-280-FS	280	116	180	2240	79	1.2	≤50	2.0	560	2.34
SHP-2000-310-FS	310	136	150	3100	88	1.1	≤45	1.7	620	2.74
SHP-2000-380-FS	380	116	230	2280	81	1.3	≤60	1.7	760	2.92
SHP-2000-400-FS	400	136	180	3200	90	1.1	≤50	1.6	800	3.20
SHP-2000-540-FS	540	136	230	3240	93	1.2	≤60	1.4	1080	3.98

## 特性参数

订货代码	容量 ( $\mu\text{F}$ )	D (mm)	H (mm)	I <sub>peak</sub> (A)	I <sub>Max</sub> @45°C @10KHz (A)	ESR(m $\Omega$ ) @1.0KHz	Ls (nH)	R <sub>th</sub> (k/W)	Wn (Ws)	重量 (Kg)
<b>Un 3000VDC , Us 4500V , Ur 700V</b>										
SHP-3000-35-FS	35	76	145	700	33	3.8	≤45	3.7	158	0.87
SHP-3000-39-FS	39	76	175	624	31	4.6	≤50	3.3	176	1.04
SHP-3000-47-FS	47	86	145	940	37	3.4	≤45	3.2	212	1.09
SHP-3000-60-FS2	60	96	150	1200	42	3.1	≤45	2.7	270	1.39
SHP-3000-60-FS1	60	86	175	960	38	3.7	≤50	2.9	270	1.28
SHP-3000-60-FS	60	76	225	720	32	5.0	≤60	2.9	270	1.28
SHP-3000-75-FS	75	96	180	1200	42	3.4	≤50	2.5	338	1.63
SHP-3000-82-FS	82	86	225	984	38	4.2	≤60	2.5	369	1.59
SHP-3000-92-FS	92	116	150	1840	51	2.7	≤45	2.1	414	2.01
SHP-3000-100-FS1	100	96	230	1200	43	3.8	≤60	2.2	450	2.04
SHP-3000-100-FS	100	116	180	1600	50	3.0	≤50	2.0	450	2.39
SHP-3000-120-FS	120	116	180	1920	52	2.8	≤50	2.0	540	2.33
SHP-3000-130-FS	130	136	150	2600	59	2.5	≤45	1.7	585	2.72
SHP-3000-150-FS	150	116	230	1800	52	3.2	≤60	1.7	675	2.93
SHP-3000-160-FS	160	136	180	2560	59	2.6	≤50	1.6	720	3.21
SHP-3000-180-FS	180	136	230	2160	59	3.0	≤60	1.4	810	4.11
<b>Un 3600VDC , Us 5400V , Ur 800V</b>										
SHP-3600-22-FS	22	76	145	440	31	4.2	≤45	3.7	143	0.87
SHP-3600-28-FS	28	76	175	448	31	4.8	≤50	3.3	181	1.02
SHP-3600-30-FS	30	86	145	600	36	3.6	≤45	3.2	194	1.08
SHP-3600-36-FS	36	96	150	720	40	3.4	≤45	2.7	233	1.39
SHP-3600-38-FS	38	86	175	608	36	4.1	≤50	2.9	246	1.27
SHP-3600-38-FS1	38	76	225	456	30	5.7	≤60	2.9	246	1.27
SHP-3600-46-FS	46	96	180	736	40	3.7	≤50	2.5	298	1.63
SHP-3600-50-FS	50	86	225	600	35	4.8	≤60	2.5	324	1.59
SHP-3600-55-FS	55	116	150	1100	49	2.9	≤45	2.1	356	2.01
SHP-3600-62-FS	62	96	230	744	40	4.3	≤60	2.2	402	2.02
SHP-3600-70-FS	70	116	180	1120	49	3.1	≤50	2.0	454	2.34
SHP-3600-75-FS	75	136	150	1500	57	2.7	≤45	1.7	486	2.74
SHP-3600-88-FS	88	116	230	1056	49	3.6	≤60	1.7	570	2.94
SHP-3600-100-FS	100	136	180	1600	58	2.8	≤50	1.6	648	3.18
SHP-3600-125-FS	125	136	230	1500	58	3.1	≤60	1.4	810	4.01
<b>Un 4000VDC , Us 6000V , Ur 900V</b>										
SHP-4000-18-FS	18	76	145	360	30	4.6	≤45	3.7	144	0.86
SHP-4000-23-FS1	23	76	175	368	29	5.2	≤50	3.3	184	1.01
SHP-4000-23-FS	23	86	145	460	34	4.0	≤45	3.2	184	1.08
SHP-4000-30-FS2	30	96	150	600	39	3.5	≤45	2.7	240	1.37
SHP-4000-30-FS1	30	86	175	480	34	4.4	≤50	2.9	240	1.26
SHP-4000-30-FS	30	76	225	360	29	6.4	≤60	2.9	240	1.26
SHP-4000-38-FS	38	96	180	608	39	3.9	≤50	2.5	304	1.61
SHP-4000-40-FS	40	86	225	480	34	5.3	≤60	2.5	320	1.58
SHP-4000-45-FS	45	116	150	900	48	3.0	≤45	2.1	360	1.99
SHP-4000-50-FS	50	96	230	600	39	4.6	≤60	2.2	400	2.01
SHP-4000-55-FS	55	116	180	880	48	3.3	≤50	2.0	440	2.34
SHP-4000-65-FS	65	136	150	1300	56	2.7	≤45	1.7	520	2.69
SHP-4000-70-FS	70	116	230	840	47	3.9	≤60	1.7	560	2.94
SHP-4000-82-FS	82	136	180	1312	57	2.9	≤50	1.6	656	3.15
SHP-4000-100-FS	100	136	230	1200	56	3.3	≤60	1.4	800	4.00

### 产品结构

介质： 金属化聚丙烯薄膜  
 外壳： 铝外壳封装  
 内部灌封： 树脂填充 (UL94 V-0)

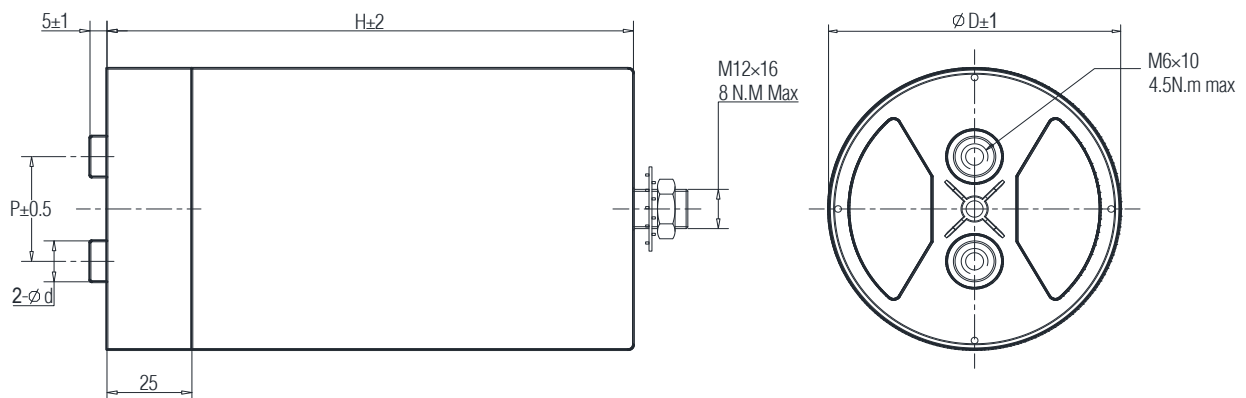
### 电气特性

工作温度： -40 至 +85 °C  
 容量范围： 180 至 4800μF  
 额定电压： 700 至 1200 VDC  
 容量偏差： ± 5% , ± 10%  
 损耗因素：  $\leq 3 \times 10^{-3}$  @ 100 Hz, 20±5°C  
 预期寿命： 100,000 小时 @ Un, 70 °C (热点温度)  
 极间耐压： 1.5Un (DC) @ 10s, 20±5°C  
 极壳耐压： (1.5Un+1000)VAC, 最小 3000VAC (10s,50Hz)  
 绝缘电阻： (IR×Cn) 30000s (不超过 30GΩ),  
 100VDC (20±5°C), 1 分钟



### 应用

新能源逆变器 变频器 电机驱动 开关电源



安装孔距与安装螺口外径尺寸 (底部安装螺杆 M12×16, 最大安装扭力 8.0 N.m)

D= 76, 86mm	D= 96mm	D= 116mm	D= 136mm
d= 12.5mm	d= 12.5mm	d= 14mm	d= 14mm
P= 32mm	P= 45mm	P= 50mm	P= 50mm

## 特性参数

订货代码	容量 ( $\mu\text{F}$ )	D (mm)	H (mm)	I <sub>peak</sub> (A)	I <sub>Max</sub> @45°C @10KHz (A)	ESR@1.0KHz (m $\Omega$ )	Ls (nH)	Rth (k/W)	Wn (Ws)	重量 (Kg)
<b>Un 700VDC, Us 1050V, Ur 150V</b>										
SHP-700-500-FSB1	500	76	95	1650	43	1.8	≤50	4.6	123	0.58
SHP-700-680-FSB1	680	86	95	2244	48	1.6	≤50	3.9	167	0.71
SHP-700-700-FSB1	700	76	120	1750	44	1.9	≤60	4.1	172	0.70
SHP-700-800-FSB1	800	76	145	3200	60	1.1	≤45	3.7	196	0.87
SHP-700-845-FSB1	845	96	100	2789	53	1.6	≤50	3.4	207	0.87
SHP-700-900-FSB1	900	86	120	2250	49	1.8	≤60	3.5	221	0.87
SHP-700-1000-FSB1	1000	76	175	3300	62	1.2	≤50	3.3	245	1.02
SHP-700-1050-FSB1	1050	86	145	4200	66	1.1	≤45	3.2	257	1.08
SHP-700-1100-FSB1	1100	96	125	2750	54	1.7	≤60	3.0	270	1.07
SHP-700-1200-FSB1	1200	116	100	3960	63	1.5	≤50	2.6	294	1.35
SHP-700-1300-FSB3	1300	96	150	5200	71	1.1	≤45	2.8	319	1.33
SHP-700-1300-FSB1	1300	86	175	4290	68	1.1	≤50	2.9	319	1.28
SHP-700-1300-FSB2	1300	76	225	3250	64	1.3	≤60	2.9	319	1.28
SHP-700-1600-FSB1	1600	96	180	5280	74	1.1	≤50	2.5	392	1.58
SHP-700-1600-FSB2	1600	116	125	4000	64	1.6	≤60	2.3	392	1.64
SHP-700-1700-FSB2	1700	136	100	5610	71	1.4	≤50	2.1	417	1.82
SHP-700-1700-FSB1	1700	86	225	4250	71	1.2	≤60	2.5	417	1.60
SHP-700-1900-FSB1	1900	116	150	7600	82	1.0	≤45	2.1	466	2.02
SHP-700-2200-FSB1	2200	96	230	5500	78	1.1	≤60	2.2	539	1.96
SHP-700-2400-FSB1	2400	136	125	6000	73	1.5	≤60	1.9	588	2.19
SHP-700-2400-FSB2	2400	116	180	7920	85	1.0	≤50	2.0	588	2.36
SHP-700-2800-FSB1	2800	136	150	11200	93	1.0	≤45	1.7	686	2.72
SHP-700-3300-FSB1	3300	116	230	8250	90	1.1	≤60	1.7	809	2.92
SHP-700-3500-FSB1	3500	136	180	11550	96	1.0	≤50	1.6	858	3.19
SHP-700-4800-FSB1	4800	136	230	12000	101	1.0	≤60	1.4	1176	3.95
<b>Un 800VDC, Us 1200V, Ur 175V</b>										
SHP-800-370-FSB1	370	76	95	1665	42	1.8	≤50	4.6	118	0.58
SHP-800-490-FSB1	490	86	95	2205	48	1.7	≤50	3.9	157	0.72
SHP-800-500-FSB1	500	76	120	1500	43	2.0	≤60	4.1	160	0.70
SHP-800-580-FSB1	580	76	145	2900	59	1.2	≤45	3.7	186	0.87
SHP-800-600-FSB1	600	96	100	2700	52	1.6	≤50	3.4	192	0.88
SHP-800-680-FSB1	680	86	120	2040	49	1.8	≤60	3.5	218	0.87
SHP-800-700-FSB1	700	76	175	3150	60	1.2	≤50	3.3	224	1.02
SHP-800-750-FSB1	750	86	145	3750	65	1.1	≤45	3.2	240	1.09
SHP-800-820-FSB1	820	96	125	2460	53	1.7	≤60	3.0	262	1.07
SHP-800-900-FSB1	900	116	100	4050	62	1.5	≤50	2.6	288	1.35
SHP-800-900-FSB2	900	96	150	4500	70	1.1	≤45	2.8	288	1.34
SHP-800-950-FSB1	950	86	175	4275	67	1.2	≤50	2.9	304	1.28
SHP-800-1000-FSB1	1000	76	225	3000	63	1.3	≤60	2.9	320	1.27
SHP-800-1200-FSB1	1200	96	180	5400	73	1.1	≤50	2.5	384	1.57
SHP-800-1200-FSB2	1200	116	125	3600	63	1.6	≤60	2.3	384	1.63
SHP-800-1300-FSB1	1300	136	100	5850	71	1.5	≤50	2.1	416	1.81
SHP-800-1300-FSB2	1300	86	225	3900	70	1.2	≤60	2.5	416	1.59
SHP-800-1400-FSB1	1400	116	150	7000	82	1.0	≤45	2.1	448	2.02
SHP-800-1600-FSB1	1600	96	230	4800	76	1.2	≤60	2.2	512	1.97
SHP-800-1700-FSB1	1700	136	125	5100	73	1.5	≤60	1.9	544	2.21
SHP-800-1800-FSB1	1800	116	180	8100	85	1.1	≤50	2.0	576	2.35
SHP-800-2000-FSB1	2000	136	150	10000	92	1.0	≤45	1.7	640	2.73
SHP-800-2400-FSB1	2400	116	230	7200	89	1.1	≤60	1.7	768	2.92
SHP-800-2500-FSB1	2500	136	180	11250	95	1.0	≤50	1.6	800	3.20
SHP-800-3500-FSB1	3500	136	230	10500	100	1.1	≤60	1.4	1120	3.96

## 特性参数

订货代码	容量 ( $\mu\text{F}$ )	D (mm)	H (mm)	I <sub>peak</sub> (A)	I <sub>Max</sub> @45°C @10KHz (A)	ESR@1.0KHz (m $\Omega$ )	Ls (nH)	Rth (k/W)	Wn (Ws)	重量 (Kg)
Un 1100VDC , Us 1650V , Ur 225V										
SHP-1100-220-FSB1	220	76	95	1496	41	2.0	≤50	4.6	133	0.58
SHP-1100-300-FSB2	300	86	95	2040	46	1.8	≤50	3.9	182	0.72
SHP-1100-300-FSB1	300	76	120	1500	41	2.2	≤60	4.1	182	0.70
SHP-1100-345-FSB1	345	76	145	2691	57	1.2	≤45	3.7	209	0.87
SHP-1100-360-FSB1	360	96	100	2448	51	1.7	≤50	3.4	218	0.88
SHP-1100-400-FSB1	400	86	120	2000	46	2.0	≤60	3.5	242	0.87
SHP-1100-450-FSB1	450	76	175	3060	59	1.3	≤50	3.3	272	1.02
SHP-1100-460-FSB1	460	86	145	3588	64	1.2	≤45	3.2	278	1.08
SHP-1100-490-FSB1	490	96	125	2450	51	1.9	≤60	3.0	296	1.07
SHP-1100-550-FSB1	550	96	150	4290	69	1.1	≤45	2.8	333	1.34
SHP-1100-550-FSB2	550	116	100	3740	61	1.6	≤50	2.6	333	1.34
SHP-1100-600-FSB0	600	86	175	4080	66	1.2	≤50	2.9	363	1.27
SHP-1100-600-FSB2	600	76	225	3000	61	1.4	≤60	2.9	363	1.27
SHP-1100-720-FSB1	720	96	180	4896	72	1.2	≤50	2.5	436	1.57
SHP-1100-750-FSB1	750	116	125	3750	62	1.7	≤60	2.3	454	1.62
SHP-1100-800-FSB1	800	136	100	5440	70	1.5	≤50	2.1	484	1.80
SHP-1100-800-FSB0	800	86	225	4000	68	1.3	≤60	2.5	484	1.59
SHP-1100-850-FSB1	850	116	150	6630	81	1.1	≤45	2.1	514	2.01
SHP-1100-980-FSB1	980	96	230	4900	75	1.2	≤60	2.2	593	1.96
SHP-1100-1050-FSB1	1050	136	125	5250	71	1.6	≤60	1.9	635	2.20
SHP-1100-1050-FSB2	1050	116	180	7140	83	1.1	≤50	2.0	635	2.36
SHP-1100-1200-FSB1	1200	136	150	9360	91	1.0	≤45	1.7	726	2.73
SHP-1100-1400-FSB1	1400	116	230	7000	87	1.1	≤60	1.7	847	2.94
SHP-1100-1500-FSB1	1500	136	180	10200	94	1.1	≤50	1.6	908	3.21
SHP-1100-2100-FSB1	2100	136	230	10500	99	1.1	≤60	1.4	1271	3.96
Un 1200VDC , Us 1800V , Ur 250V										
SHP-1200-180-FSB1	180	76	95	1440	40	2.1	≤50	4.6	130	0.58
SHP-1200-230-FSB1	230	86	95	1840	45	1.9	≤50	3.9	166	0.73
SHP-1200-250-FSB1	250	76	120	1500	40	2.3	≤60	4.1	180	0.70
SHP-1200-280-FSB1	280	76	145	2800	56	1.3	≤45	3.7	202	0.88
SHP-1200-300-FSB1	300	96	100	2400	50	1.8	≤50	3.4	216	0.88
SHP-1200-330-FSB1	330	86	120	1980	45	2.1	≤60	3.5	238	0.88
SHP-1200-360-FSB1	360	76	175	2880	58	1.3	≤50	3.3	259	1.03
SHP-1200-380-FSB1	380	86	145	3800	63	1.2	≤45	3.2	274	1.09
SHP-1200-400-FSB1	400	96	125	2400	50	1.9	≤60	3.0	288	1.09
SHP-1200-450-FSB1	450	116	100	3600	60	1.6	≤50	2.6	324	1.36
SHP-1200-480-FSB1	480	86	175	3840	65	1.2	≤50	2.9	346	1.29
SHP-1200-500-FSB1	500	76	225	3000	60	1.5	≤60	2.9	360	1.28
SHP-1200-580-FSB1	580	96	180	4640	70	1.2	≤50	2.5	418	1.59
SHP-1200-600-FSB1	600	116	125	3600	61	1.7	≤60	2.3	432	1.65
SHP-1200-650-FSB1	650	136	100	5200	69	1.5	≤50	2.1	468	1.82
SHP-1200-680-FSB0	680	86	225	4080	66	1.4	≤60	2.5	490	1.60
SHP-1200-700-FSB2	700	116	150	7000	80	1.1	≤45	2.1	504	2.03
SHP-1200-780-FSB1	780	96	230	4680	73	1.3	≤60	2.2	562	2.00
SHP-1200-880-FSB1	880	136	125	5280	71	1.6	≤60	1.9	634	2.21
SHP-1200-880-FSB2	880	116	180	7040	83	1.1	≤50	2.0	634	2.38
SHP-1200-1000-FSB1	1000	136	150	10000	91	1.0	≤45	1.7	720	2.75
SHP-1200-1200-FSB1	1200	116	230	7200	86	1.2	≤60	1.7	864	2.95
SHP-1200-1300-FSB1	1300	136	180	10400	94	1.1	≤50	1.6	936	3.21
SHP-1200-1700-FSB1	1700	136	230	10200	98	1.1	≤60	1.4	1224	4.02